



AccuSpec V8.62

HD MODEL NOMENCLATURE

1,2,3	4,5,6	7	8	9,10	11,12
HD	60	A	S	01	11

1,2,3 - Product Type

HD - Power Vented Propeller Unit

4,5,6 - Furnace Input Rating

60 - 60,000 Btu/hr Input

7 - Heat Exchanger Type

A - Aluminized Steel

8 - Pilot Ignition

S - Direct Spark Ignition

9,10 - Motor and Drive Code (Power Code)

01 - 115V motor

11,12 - Gas and Valve/Ignition Control Type (Control Code)

11 - Natural, Single Stage, Direct Spark Ignition, 100% Shut-Off with Continuous Retry



AccuSpec V8.62

GENERAL PERFORMANCE DATA



General Performance Data

Model	HD 60
At 0' Elevation	
Btu/Hr. Input	60,000
Btu/Hr. Output	48,000
Entering Airflow (CFM)	990
Outlet Velocity	653
Air Temp. Rise (°F)	45
Mounting Height (Max Ft.) ¹	12
Heat Throw (Max. Mtg. Ft.) ²	36
Unit Total Power (Amps)	2.5

As Configured at 0-2000 Ft. Elevation

Btu/Hr. Input	60,000
Btu/Hr. Output	48,000
Configured Air Temp Rise (°F)	45

Motor Data

Horse Power	1/12
RPM	1625
Type	P.S.C.
Motor Amps at 115V	1.2

Clearances to Combustibles

Top and Bottom	1"
Vent Connector	4"
Access Side	18"
Non-Access Side	1"
Rear	18"

Mounting

1" – angle, mounting brackets are slotted to accommodate joists on 16" or 24" centerlines.

¹ At 65°F ambient and unit fired at full-rated input. Mounting height as measured from bottom of unit.

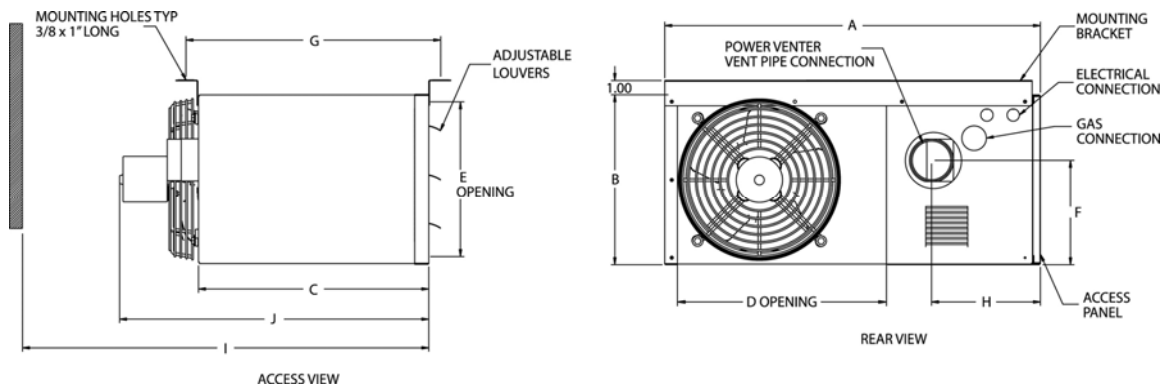
² Heat Throws are calculated at 65°F ambient with a 45°F air temperature rise with the unit mounted at a maximum mounting height of 12 feet.



AccuSpec V8.62

DIMENSIONS – UNIT

Model HD Dimensions



Model Size HD60 Dimensions (in inches)

A	26.8
B	18
C	16.5
D	14.9
E	15.9
F	10.7
G	18.5
H	7.8
I	31
J	25
Vent Connector Diameter	3
Gas Connection Diameter	1/2
Fan Diameter	14
Approx. Shipping Weight	80 lbs.