



AccuSpec V8.62

HD MODEL NOMENCLATURE

1,2,3	4,5,6	7	8	9,10	11,12
HD	100	A	S	01	11

1,2,3 - Product Type

HD - Power Vented Propeller Unit

4,5,6 - Furnace Input Rating

100 - 100,000 Btu/hr Input

7 - Heat Exchanger Type

A - Aluminized Steel

8 - Pilot Ignition

S - Direct Spark Ignition

9,10 - Motor and Drive Code (Power Code)

01 - 115V motor

11,12 - Gas and Valve/Ignition Control Type (Control Code)

11 - Natural, Single Stage, Direct Spark Ignition, 100% Shut-Off with Continuous Retry



AccuSpec V8.62

GENERAL PERFORMANCE DATA



General Performance Data

Model	HD 100
At 0' Elevation	
Btu/Hr. Input	100,000
Btu/Hr. Output	80,000
Entering Airflow (CFM)	1490
Outlet Velocity	565
Air Temp. Rise (°F)	50
Mounting Height (Max Ft.) ¹	12
Heat Throw (Max. Mtg. Ft.) ²	42
Unit Total Power (Amps)	4.7

As Configured at 0-2000 Ft. Elevation

Btu/Hr. Input	100,000
Btu/Hr. Output	80,000
Configured Air Temp Rise (°F)	50

Motor Data

Horse Power	1/12
RPM	1100
Type	S.P.
Motor Amps at 115V	2.7

Clearances to Combustibles

Top and Bottom	1"
Vent Connector	4"
Access Side	18"
Non-Access Side	1"
Rear	18"

Mounting

1" – angle, mounting brackets are slotted to accommodate joists on 16" or 24" centerlines.

¹ At 65°F ambient and unit fired at full-rated input. Mounting height as measured from bottom of unit.

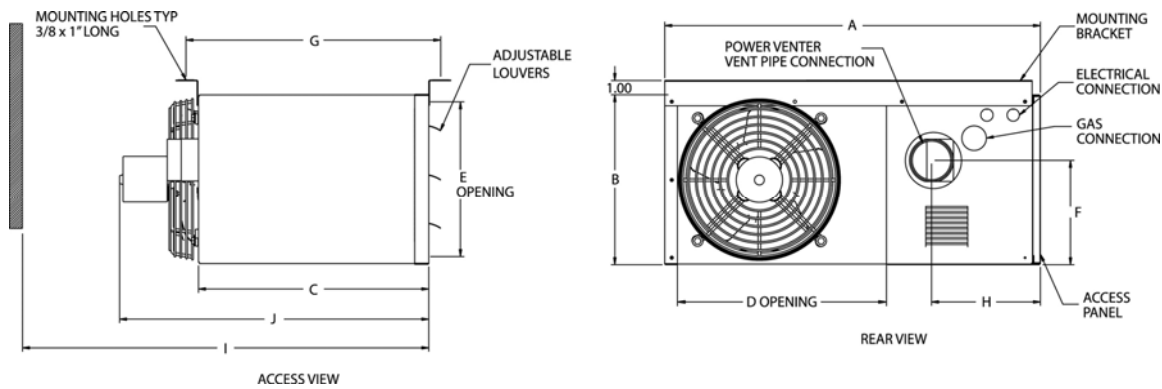
² Heat Throws are calculated at 65°F ambient with a 50°F air temperature rise with the unit mounted at a maximum mounting height of 12 feet.



AccuSpec V8.62

DIMENSIONS – UNIT

Model HD Dimensions



Model Size **HD100**
Dimensions (in inches)

A	35.5
B	20.5
C	22
D	22.52
E	18.43
F	14
G	24
H	8.38
I	43
J	31
Vent Connector Diameter	4
Gas Connection Diameter	1/2
Fan Diameter	18
Approx. Shipping Weight	125 lbs.