



AccuSpec V8.62

## HD MODEL NOMENCLATURE

---

1,2,3	4,5,6	7	8	9,10	11,12
HD	125	A	S	01	11

### 1,2,3 - Product Type

HD - Power Vented Propeller Unit

### 4,5,6 - Furnace Input Rating

125 - 125,000 Btu/hr Input

### 7 - Heat Exchanger Type

A - Aluminized Steel

### 8 - Pilot Ignition

S - Direct Spark Ignition

### 9,10 - Motor and Drive Code (Power Code)

01 - 115V motor

### 11,12 - Gas and Valve/Ignition Control Type (Control Code)

11 - Natural, Single Stage, Direct Spark Ignition, 100% Shut-Off with Continuous Retry



AccuSpec V8.62

## GENERAL PERFORMANCE DATA

---



### General Performance Data

<b>Model</b>	<b>HD 125</b>
<b>At 0' Elevation</b>	
Btu/Hr. Input	125,000
Btu/Hr. Output	100,000
Entering Airflow (CFM)	1980
Outlet Velocity	747
Air Temp. Rise (°F)	47
Mounting Height (Max Ft.) <sup>1</sup>	16
Heat Throw (Max. Mtg. Ft.) <sup>2</sup>	56
Unit Total Power (Amps)	4.2

### As Configured at 0-2000 Ft. Elevation

Btu/Hr. Input	125,000
Btu/Hr. Output	100,000
Configured Air Temp Rise (°F)	47

### Motor Data

Horse Power	1/8
RPM	1625
Type	P.S.C.
Motor Amps at 115V	2.3

### Clearances to Combustibles

Top and Bottom	1"
Vent Connector	4"
Access Side	18"
Non-Access Side	1"
Rear	18"

### Mounting

1" – angle, mounting brackets are slotted to accommodate joists on 16" or 24" centerlines.

<sup>1</sup> At 65°F ambient and unit fired at full-rated input. Mounting height as measured from bottom of unit.

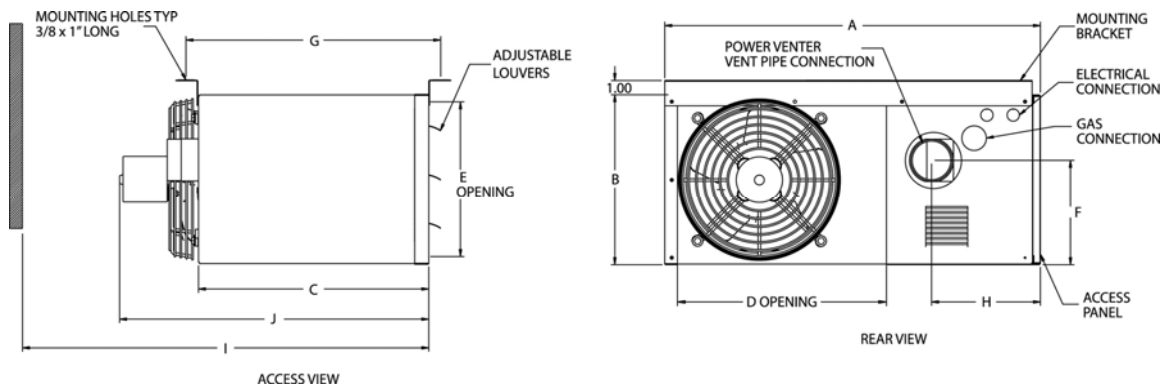
<sup>2</sup> Heat Throws are calculated at 65°F ambient with a 47°F air temperature rise with the unit mounted at a maximum mounting height of 16 feet.



AccuSpec V8.62

## DIMENSIONS – UNIT

### Model HD Dimensions



**Model Size**                      **HD125**  
**Dimensions (in inches)**

A	35.5
B	20.5
C	22
D	22.52
E	18.43
F	14
G	24
H	8.38
I	43
J	31
Vent Connector Diameter	4
Gas Connection Diameter	1/2
Fan Diameter	18
Approx. Shipping Weight	125 lbs.